

# Limit Switch Box RLB-11 & RLB-12



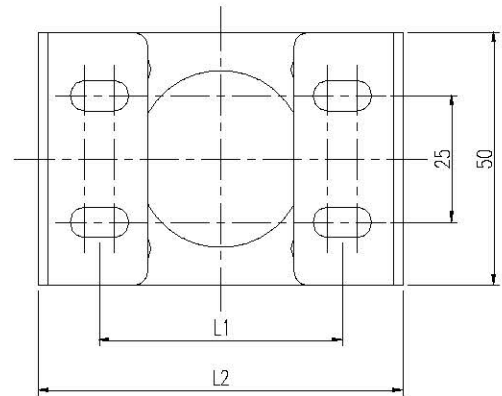
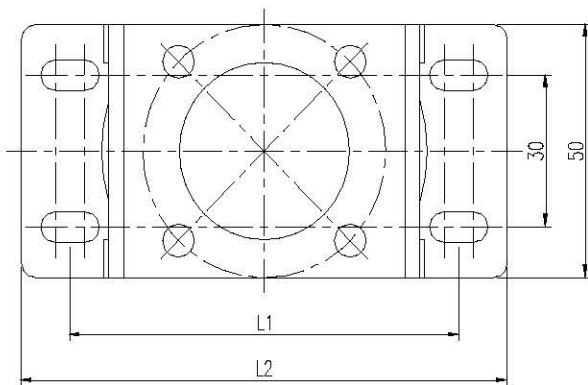
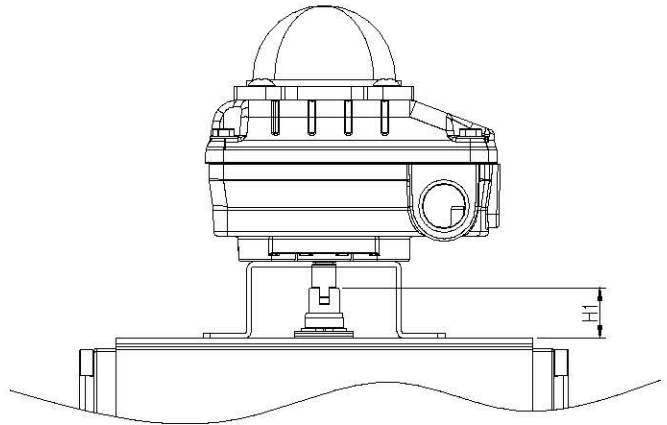
## Specifications

Type	Mechanical switch(RLB-11)	Proximity switch(RLB-12)
Switch type	SPDT x 2	Proximity sensor x 2
Voltage	AC 250V 3A, 125V 5A DC 250V 0.2A, 125V 0.4A 30V 4A, 14V 5A, 8V 5A	DC 12~24V 200mA max.
Enclosure protection	IP 67	
Ambient temp.	-20℃~80℃	-25℃~70℃
Terminal	8 Points	
Mounting bracket	NAMUR VDI / VDE 3845, ISO 5211	
Material	Aluminum diecasting	
Conduit entry	PF 1/2 x 2EA : Standard, (Option : NPT 1/2, PT 1/2, M20)	
Weight	880g	

# Limit Switch Box RLB-11 & RLB-12

## Mounting Bracket(Namur Standard)

Model No.	H1	H2	L1	L2
BK-1	20	30.5	80	100
BK-2	30	40.5		
BK-3	30	40.5	130	150
BK-4	50	60.5		
BK-5	20	30.5	50	75



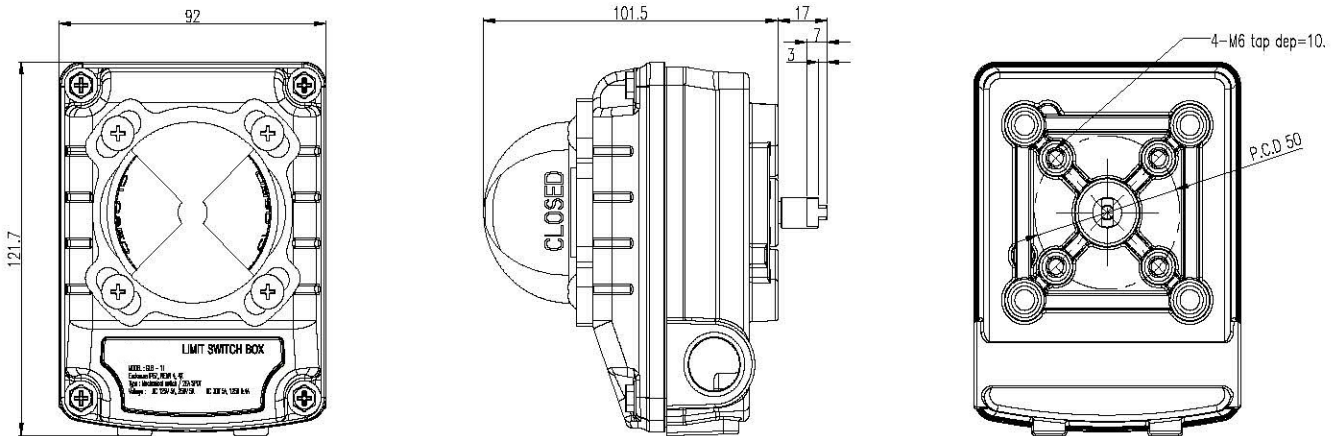
BK 5



BK 1 ~ 4

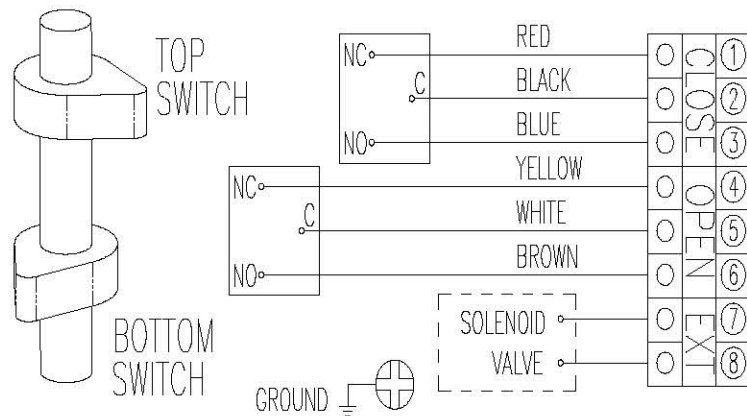
# Limit Switch Box RLB-11 & RLB-12

## DIMENSIONS



## WIRING DIAGRAM

### LIMIT SWITCH BOX (2SPDT) WIRING DIAGRAM



### LIMIT SWITCH BOX (Proximity) WIRING DIAGRAM

